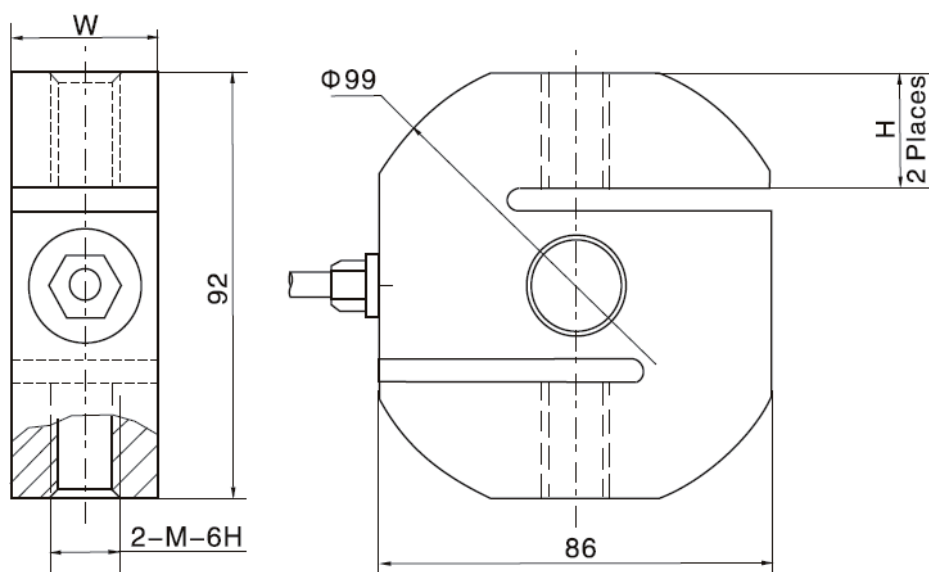


Maximum capacity ( $E_{max}$ )	t	0.5, 1, 2, 3, 4, 5, 6, 7.5
Output sensitivity ( = FS )	mV/V	$2.0 \pm 0.008$
Accuracy	%FS	$\pm 0.5$
Minimum dead load	Of $E_{max}$	0%
Safe overload	of $E_{max}$	150 %
Ultimate overload	of $E_{max}$	300 %
Zero balance	of FS	$< \pm 1.5$ %
Excitation, recommended voltage	V	5 ~ 12
Excitation maximum	V	18
Input resistance	$\Omega$	$350 \pm 3$
Output resistance	$\Omega$	$350 \pm 3$
Insulation resistance	M $\Omega$	$\geq 5000$ ( at 50VDC )
Compensated temperature	$^{\circ}\text{C}$	-10 ~ +40
Operating temperature	$^{\circ}\text{C}$	-35 ~ +65
Storage temperature	$^{\circ}\text{C}$	-40 ~ +70
Element material		Stainless steel
Ingress Protection (acc. to EN60529)		IP68



Dimension Capacity	W	H	M
0.5t, 1t	32	25	M12 x 1.75
2t, 3t	32	25	M20 x 1.5
4t	36	25	M20 x 1.5
5t, 6t, 7.5t	50	24	M24 x 2