

Technical Datasheet No : 100_(v.1)

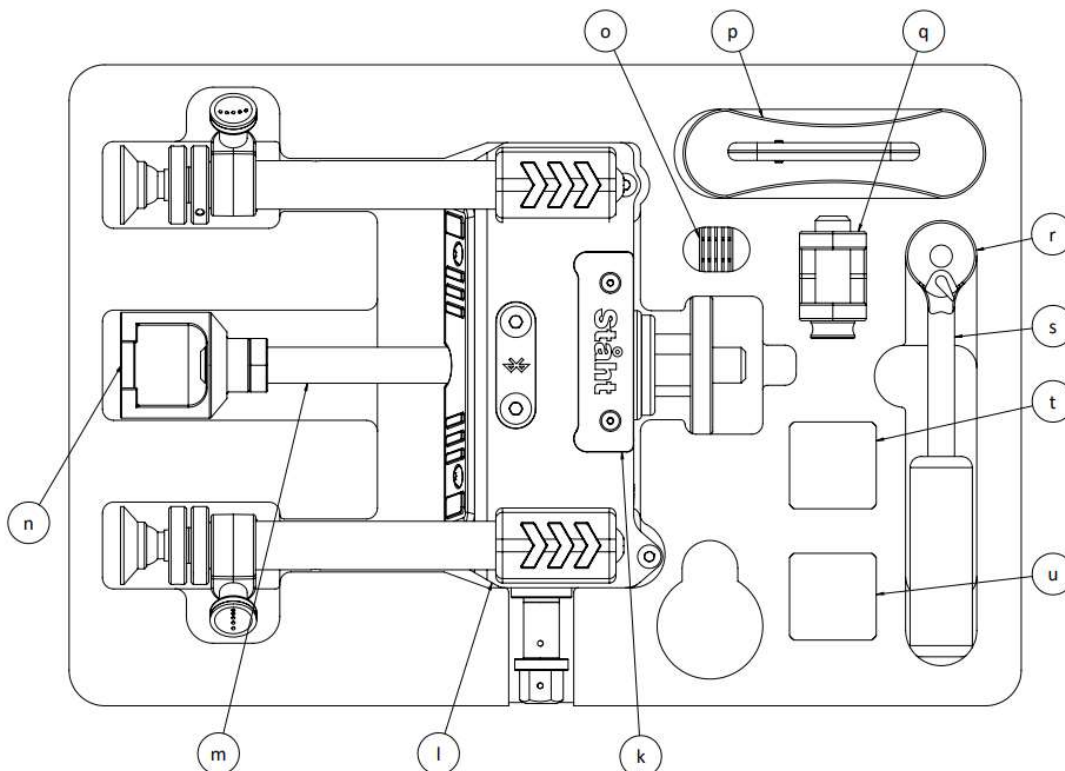
Part Number 600-004

60kN Digital Tensile Tester Kit, c/w Accessories & Heavy-Duty Case



Application – The Staht Tester Kit is designed to proof load test anchors and safety eye bolts up to a maximum load of 60 kN / 13489 lbf. The kit is supplied in a heavy-duty case.

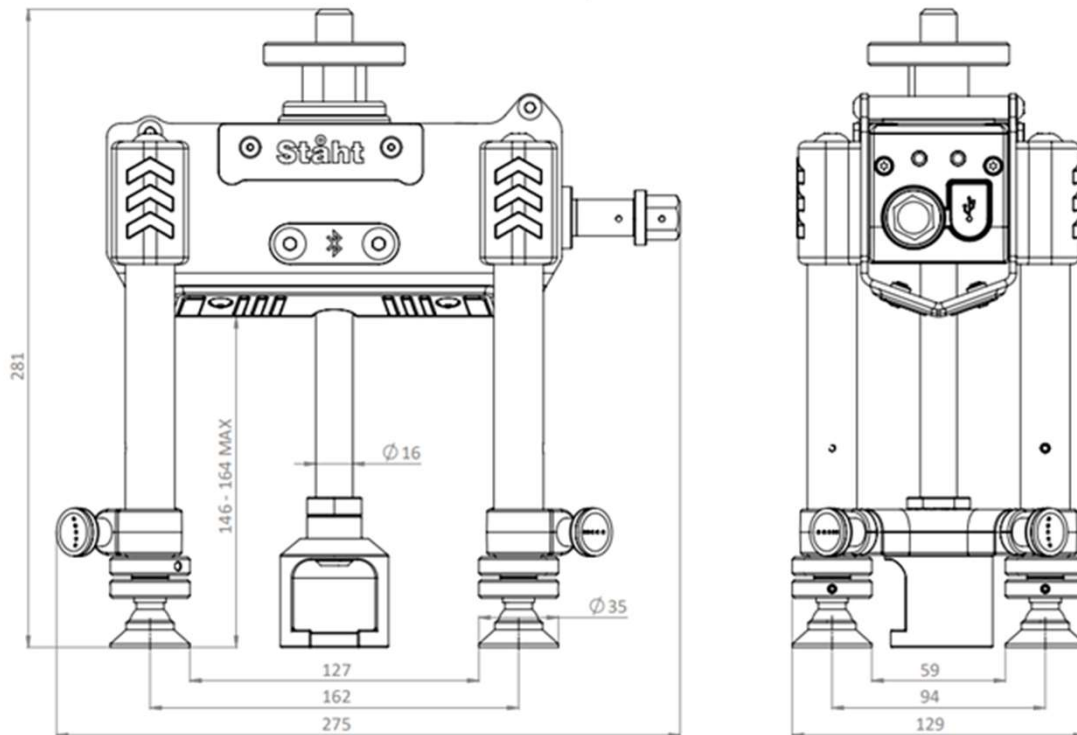
Kit Content: 60kN Digital Load Cell (k) , Bridge (l), Drop Rod & Top Nut (m), Anchor Jaw (n), Clevis (q), USB-C Charge Cable(o), Tool Lanyard for Tester (p), 17mm Socket (r), 3/8” Socket Wrench c/w Wrist Lanyard (s), Threaded Washer Pack M6, 8, 10, 12, 16 & 20 (t), Slotted Washer Pack M6, 8, 10, 12 & 16 (u), 24mm Spanner, Calibration Certificate & User Instructions, Heavy Duty Case & Filler.



Technical Datasheet No : 100_(v.1)

Part Number 600-004

60kN Digital Tensile Tester Kit, c/w Accessories & Heavy-Duty Case



Specification

Operating Load Range	0 – 60 kN / 0 - 13489 lbf
Max Torque @ 60 kN / 13489 lbf	25 Nm / 18.4 ft-lbs
Operating Temperature Range	-20 to 60 °C / -4 to 140°F
Charging Temperature Range	0 to 45 °C / 32 to 113°F
Tester Weight	4.4 kg / 9.7 lbs
Kit Weight & Dimensions	10.1 kg / 22.2 lbs. 0.465 x 0.350 x 0.175 m / 18.3 x 13.8 x 6.9"
Packaged Weight & Dimensions	10.8 kg / 23.8lbs. 0.5 x 0.385 x 0.21m / 19.6 x 15.15 x 8.27"
Tool Lanyard Length & Capacity	0.9 - 1.65 m ext / 31.5-65"ext. MAX 8 kg / 17.6 lbs
Wrist Lanyard Capacity	0.9 kg / 1.98 lbs
USB-C Braided Charge Cable	1 m / 39". 3 Amp
Connectivity	Ståht Connect App via Bluetooth® LE
Battery	Rechargeable Li-Ion Polymer
Hydraulic Oil	ISO VG 32 Premium Mineral Based Oil
Test Standards	EN 61000-6-3:2007+A1:2011, EN 61000-4-2:2009, EN 61000-4-3+A1:2010 +A2:2010, EN 61000-4-6:2014
Certification	CE, UKCA

Technical Datasheet No : 101^(v 1)

Part Number 600-009

60kN Digital Tensile Tester Kit, c/w Accessories & Kit Bag



Application – The Staht tester is designed to proof load test anchors and safety eye bolts up to a maximum load of 60 kN / 13489 lbf. The kit is supplied in a durable kit bag.

Kit Content: 60kN Digital Load Cell , Bridge, Drop Rod & Top Nut, Anchor Jaw, Clevis, USB-C Charge Cable, Tool Lanyard for Tester, 17mm Socket, 3/8” Socket Wrench c/w Wrist Lanyard, Threaded Washer Pack M6, 8, 10, 12, 16 & 20, Slotted Washer Pack M6, 8, 10, 12 & 16, 24mm Spanner, Calibration Certificate & User Instructions, Padded Bag.

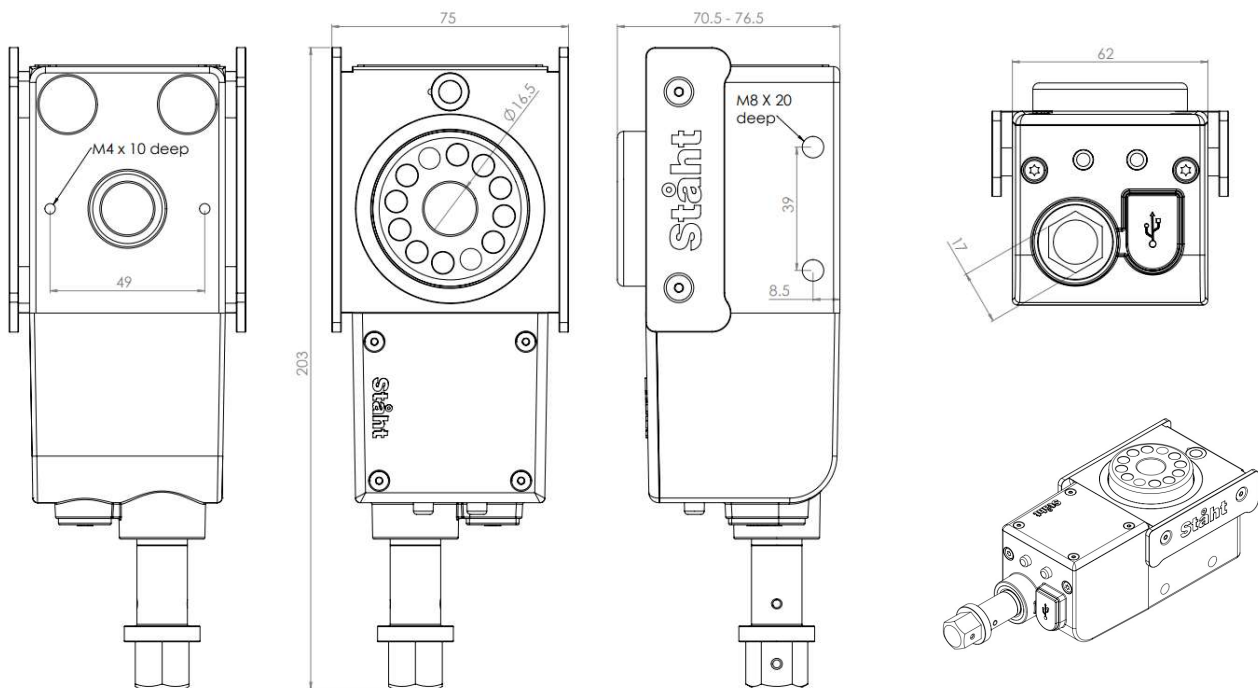
Specification

Operating Load Range	0 – 60 kN / 0 - 13489 lbf
Operating Temperature Range	-20 to 60 °C / -4 to 140°F
Max Torque @ 60 kN	25 Nm / 18.4 ft-lbs
Charging Temperature Range	0 to 45 °C . 32 to 113°F
Tester Weight	4.4 kg / 9.7 lbs
Kit Weight & Dimensions	8 kg / 17.6 lbs. 0.35 x 0.31 x 0.17 m / 13.8 x 12.2 x 6.69"
Packaged Weight & Dimensions	8.7 kg / 19.1 lbs. 0.5 x 0.385 x 0.21 m / 19.6 x 15.15 x 8.27"
Tool Lanyard Length & Capacity	0.9-1.65 m / 31.5-65". 8kg / 17.6 lbs
Wrist Lanyard Capacity	0.9 kg / 1.98 lbs
USB-C Braided Charge Cable	1 m /39". 3 Amp
Connectivity	Staht Connect App via Bluetooth® LE
Battery	Rechargeable Li-Ion Polymer
Hydraulic Oil	ISO VG 32 Premium Mineral Based Oil
Test Standards	EN 61000-6-3:2007+A1:2011, EN 61000-4-2:2009, EN 61000-4-3+A1:2010 +A2:2010, EN 61000-4-6:2014
Certification	CE, UKCA

Technical Datasheet No : 102_(v1)

Part Number 601-015

60kN Digital Tensile Tester Load Cell



Application – The Load Cell is designed to proof load test anchors and safety eye bolts up to a maximum load of 60 kN / 13489 lbf. For use with a Staht Bridge or to fix onto your own bridge design*.

*Bridge designs and applications for this product not designed and approved by Staht are done so at the risk of the designer and user.

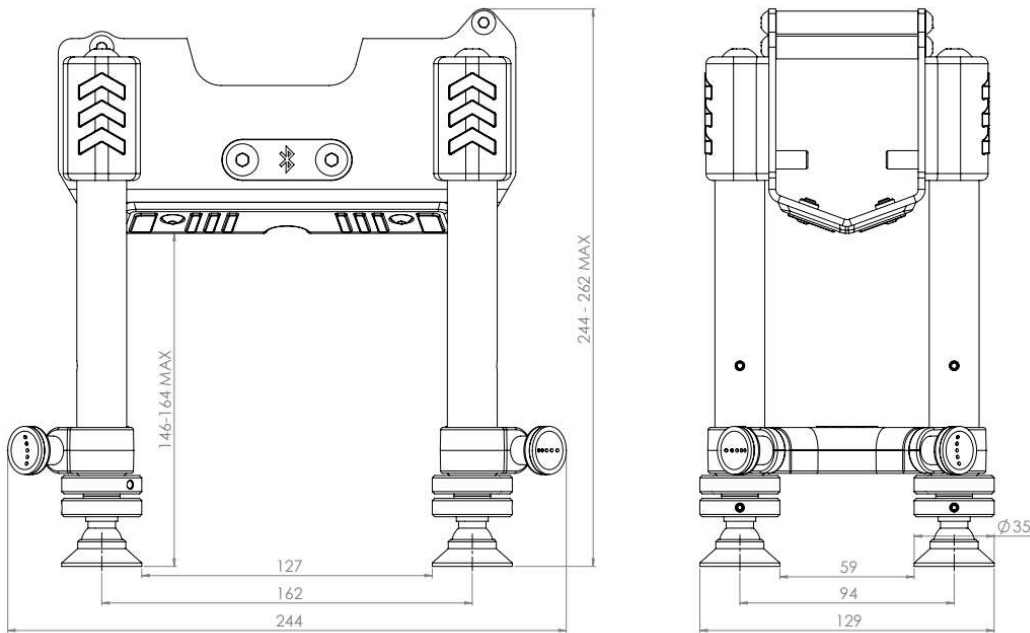
Specification

Operating Load Range	0 – 60 kN / 0 - 13489 lbf
Operating Temperature Range	-20 to 60 °C / -4 to 140°F
Max Torque @ 60kN	25Nm / 18.4 ft-lbs
Charging Temperature Range	0 to 45 °C / 32 to 113°F
Load Cell Weight	1.5 kg / 3.3lbs
Packaged Weight & Dimensions	1.8kg / 4 lbs. 0.25 x 0.14 x 0.14 m / 9.8 x 5.5 x 5.5"
USB-C Braided Charge Cable	1m / 39", 3 Amp (not included)
Connectivity	Staht Connect App via Bluetooth® LE
Battery	Rechargeable Li-Ion Polymer
Hydraulic Oil	ISO VG 32 Premium Mineral Based Oil
Test Standards	EN 61000-6-3:2007+A1:2011, EN 61000-4-2:2009, EN 61000-4-3+A1:2010 +A2:2010, EN 61000-4-6:2014
Certification	CE, UKCA

Technical Datasheet No : 103_(v1)

Part Number 601-023

Bridge 60kN / 13488.5lbf



Application – The bridge is designed to work with the Staht Load Cell (601-015) to proof load test anchors and safety eye bolts up to a maximum load of 60 kN / 13489 lbf. The bridge is supplied with 4 x M8 fixings to fix the load cell.

Specification

Operating Load Range	0 – 60 kN / 0 - 13489 lbf
Weight	2.8 kg / 6.17 lbs
Dimensions	0.13 x 0.24 x 0.24m / 5.1 x 9.44 x 9.44"
Packaged Weight	3.1 kg / 4.4lbs
Packaged Dimensions	0.34 x 0.32 x 0.18m / 7.87 x 12.5 x 7"
Material	Steel / Aluminium / Rubber / Plastic
Finish	Powder Coat / Anodized / Natural / Natural

Technical Datasheet No : 104_(v1)
Part Number 600-005
Heavy Duty Carry Case c/w Foam Insert



Application – The case is IP67 certified, tough and durable. It is provided with a high density foam insert to protect the Staht tester and accessories.

Specification

Dimensions	0.46 x 0.36 x 0.17m / 18 x 14.2 x 6.7"
Weight	2.8 kg / 6.17 lbs
Packaged Weight	3.1 kg / 4.4lbs
Packaged Dimensions	0.5 x 0.385 x 0.21m / 19.6 x 15.15 x 8.27"
Material(s)	High Density Plastic